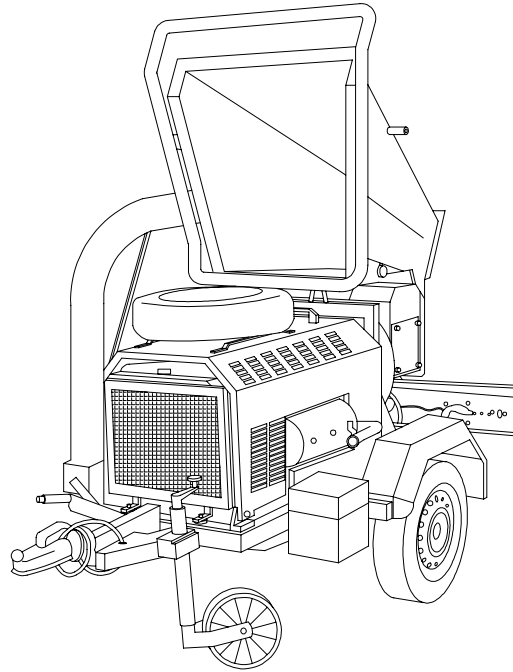


## SPARES LIST

# Cippo 15



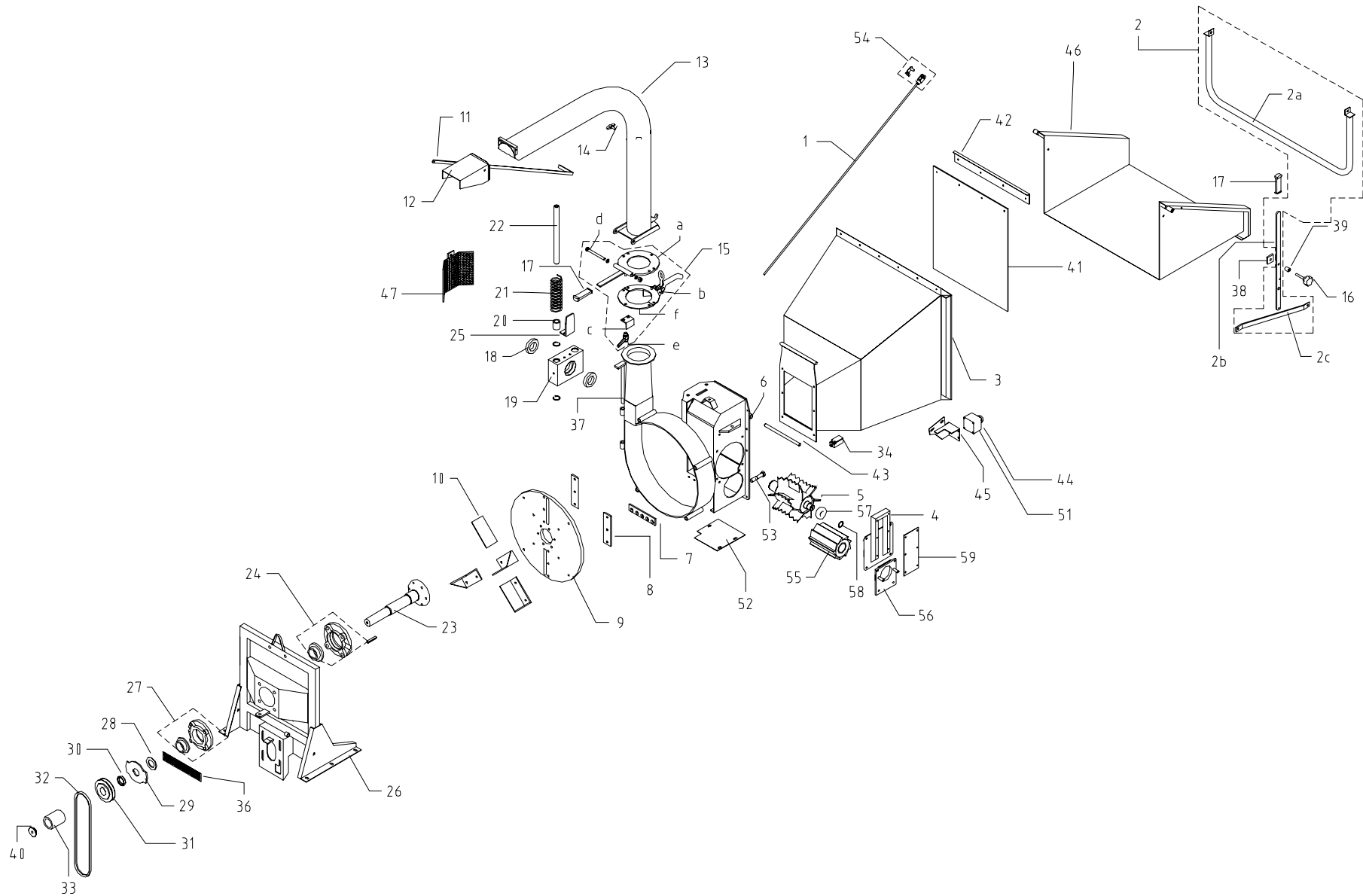
## INDEX

|               |  |
|---------------|--|
| <b>TAV. 1</b> | <b>Basic Machine</b>                   |
|               |  |
| <b>TAV. 2</b> | <b>Petrol Transmission HP 20</b>       |
|               |  |
| <b>TAV. 3</b> | <b>4 wheels trailer</b>                |
|               |  |
| <b>TAV. 4</b> | <b>Road trailer 80 Km/h</b>            |
|               |  |
| <b>TAV. 5</b> | <b>Hydraulic System</b>                |
|               |  |
| <b>TAV. 6</b> | <b>Diesel Transmission HP 27 D (L)</b> |
|               |  |
| <b>TAV. 7</b> | <b>PTO Transmission</b>                |

| POS. | DESCRIPTION                    | Q.TY | CODE        |
|------|--------------------------------|------|-------------|
| 1    | Feed roller command cable      | 1    | CP15010001  |
| 2    | Feed roller command bar        | 1    | CP15010002  |
| 2a   | Command lever                  | 1    | CP15010002a |
| 2b   | Plate                          | 1    | CP15010002b |
| 2c   | Feed roller command assembly   | 1    | CP15010002c |
| 3    | Short hopper ( PTO )           | 1    | CP15010003  |
| 4    | Inspection plate               | 1    | CP15010004  |
| 5    | Feed roller                    | 1    | CP15010005  |
| 6    | Chipper case                   | 1    | CP15010006  |
| 7    | Counter blade                  | 1    | CP15010007  |
| 8    | Chipper blade                  | 2    | CP15010008  |
| 9    | Chipper disc                   | 1    | CP15010009  |
| 10   | Vane                           | 4    | CP15010010  |
| 11   | Adjustment chute bar           | 1    | CP15010011  |
| 12   | Discharge chute                | 1    | CP15010012  |
| 13   | Adjustable discharge stack     | 1    | CP15010013  |
| 14   | Wing 6E M10x30                 | 1    | CP15010014  |
| 15   | Discharge tube hinge assembly  | 1    | CP15010015  |
| 15a  | Upper flange                   | 1    | CP15010015a |
| 15b  | Flange with hook               | 1    | CP15010015b |
| 15c  | Angle plate                    | 1    | CP15010015c |
| 15d  | Screw TE M10x150               | 1    | CP15010015d |
| 15e  | Handle                         | 1    | CP15010015e |
| 15f  | Lower flange                   | 1    | CP15010015f |
| 16   | Wing 6E M 10x60                | 2    | CP15010016  |
| 17   | Handle grip 25x8               | 2    | CP15010017  |
| 18   | Bearing 6010 2RS               | 2    | CP15010018  |
| 19   | Aluminium block                | 1    | CP15010019  |
| 20   | Bearing brass                  | 4    | CP15010020  |
| 21   | Spring                         | 2    | CP15010021  |
| 22   | Pin $\phi$ 25                  | 2    | CP15010022  |
| 23   | Shaft                          | 1    | CP15010023  |
| 24   | Bearing UCFC 211               | 1    | CP15010024  |
| 25   | Feed roller protection         | 1    | CP15010025  |
| 26   | Counter frame for chipper case | 1    | CP15010026  |

| POS. | DESCRIPTION                        | Q.TY | CODE       |
|------|------------------------------------|------|------------|
| 27   | Bearing UCFC 210                   | 1    | CP15010027 |
| 28   | Spacer for counter rews disc       | 1    | CP15010028 |
| 29   | Counter rews disc                  | 1    | CP15010029 |
| 30   | Spacer H=10                        | 1    | CP15010030 |
| 31   | Pulley 1A 118                      | 1    | CP15010031 |
| 32   | Belt A-39                          | 1    | CP15010032 |
| 33   | Spacer                             | 1    | CP15010033 |
| 34   | Safety switch                      | 1    | CP15010034 |
| 36   | Drilled plate                      | 1    | CP15010036 |
| 37   | Pin for hinge case                 | 1    | CP15010037 |
| 38   | Plate                              | 1    | CP15010038 |
| 39   | Spacer                             | 1    | CP15010039 |
| 40   | Washer                             | 1    | CP15010040 |
| 41   | Protection rubber                  | 1    | CP15010041 |
| 42   | Angle plate                        | 1    | CP15010042 |
| 43   | Pin for hinge hopper               | 1    | CP15010043 |
| 44   | Emergency button ( petrol )*       | 1    | CP15010044 |
| 45   | Support for emergency button*      | 1    | CP15010045 |
| 46   | Hopper extension                   | 1    | CP15010046 |
| 47   | Aluminium block protection         | 1    | CP15010047 |
| 48   | Screw M8x160*                      | 1    | CP15010048 |
| 49   | Safety switch key*                 | 1    | CP15010049 |
| 50   | Safety switch*                     | 1    | CP15010050 |
| 51   | Emergency button ( diesel )*       | 1    | CP15010051 |
| 52   | Galvanized protection              | 1    | CP15010052 |
| 53   | Screw M16x80                       | 5    | CP15010053 |
| 54   | Fork M 8                           | 1    | CP15010054 |
| 55   | Fixed feed roller                  | 1    | CP15010055 |
| 56   | Fixed feed roller inspection plate | 1    | CP15010056 |
| 57   | Bearing 6306 2 RS                  | 1    | CP15010057 |
| 58   | Seeger ring E-30                   | 1    | CP15010058 |
| 59   | Guide plate                        | 1    | CP15010059 |

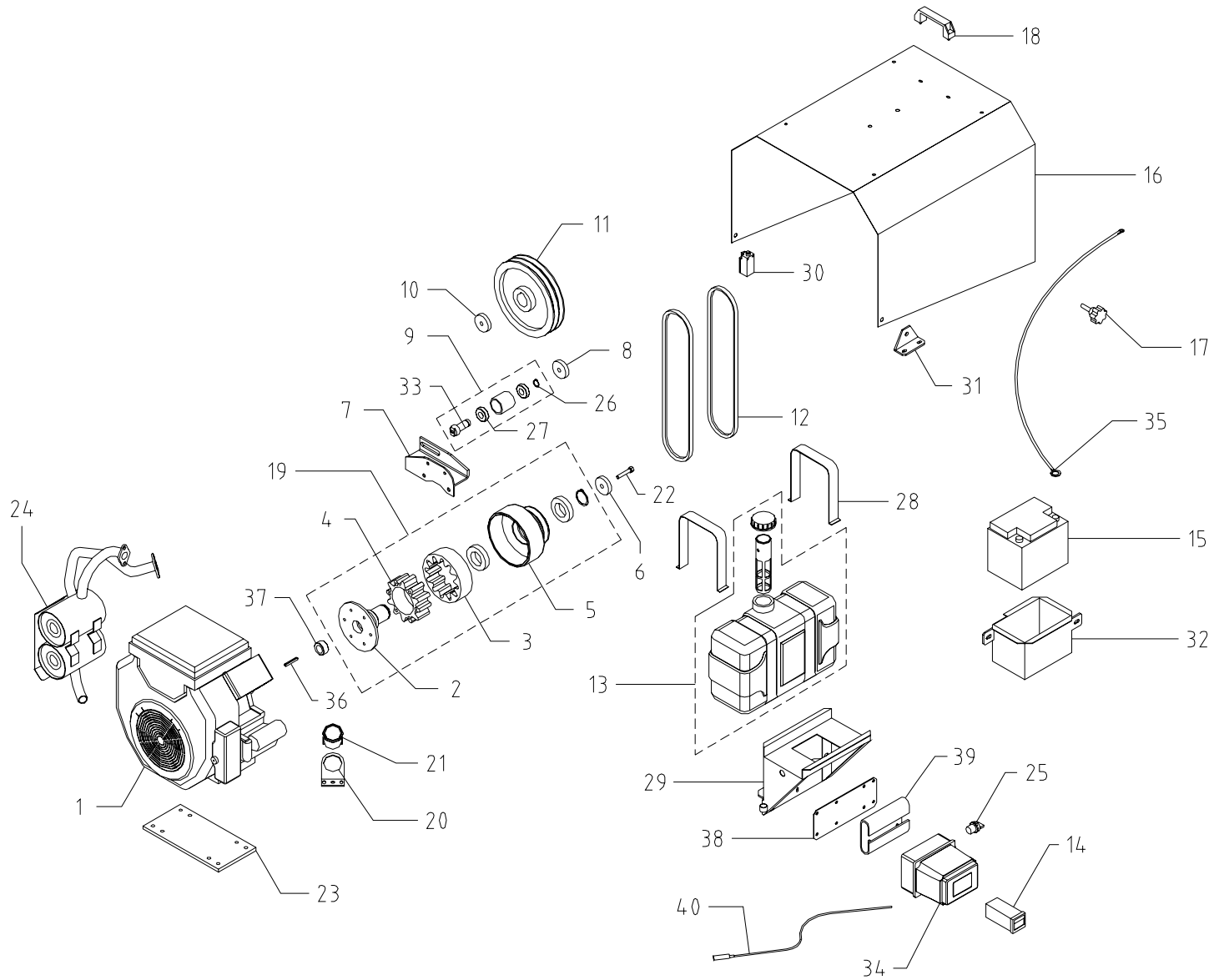
\* Optional item



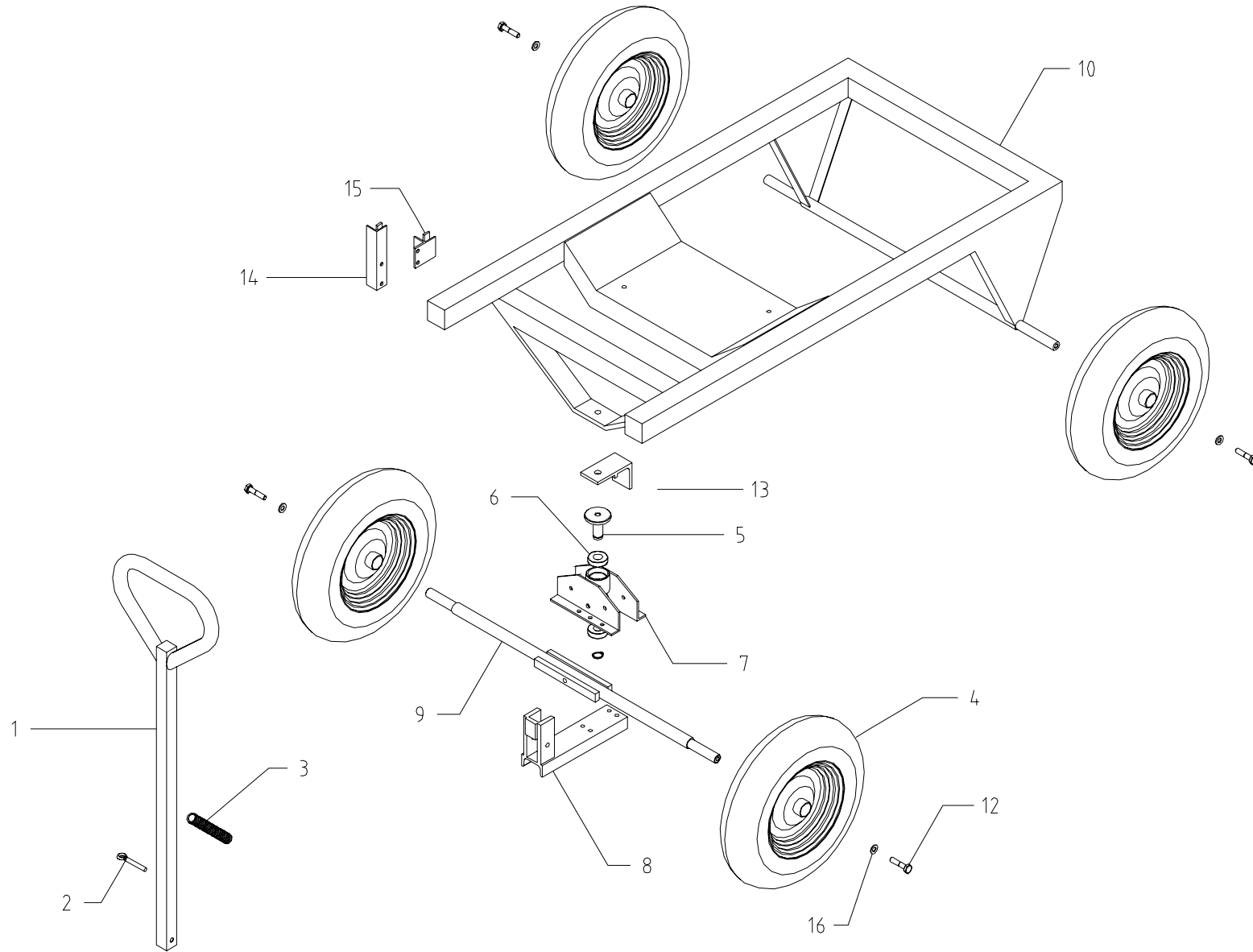
**Cippo 15****TABLE 2 - Petrol transmission HP 20 B**

| POS. | DESCRIPTION                     | Q.TY | CODE       |
|------|---------------------------------|------|------------|
| 1    | Engine Honda GX 620 with wiring | 1    | CP15020001 |
| 2    | Flywheel                        | 1    | CP15020002 |
| 3    | Centrifugal rubber $\phi$ 155   | 1    | CP15020003 |
| 4    | Aluminium star                  | 1    | CP15020004 |
| 5    | Half bearing with pulley        | 1    | CP15020005 |
| 6    | Washer                          | 1    | CP15020006 |
| 7    | Idler support                   | 1    | CP15020007 |
| 8    | Washer                          | 1    | CP15020008 |
| 9    | Idler                           | 1    | CP15020009 |
| 10   | Washer                          | 1    | CP15020010 |
| 11   | Pulley 2B 224                   | 1    | CP15020011 |
| 12   | Belt B-41                       | 2    | CP15020012 |
| 13   | Fuel tank                       | 1    | CP15020013 |
| 14   | Electronic no-stress device     | 1    | CP15020014 |
| 15   | Battery                         | 1    | CP15020015 |
| 16   | Engine cover                    | 1    | CP15020016 |
| 17   | Wing 6E M10x40                  | 2    | CP15020017 |
| 18   | Hand grip                       | 1    | CP15020018 |
| 19   | Centrifugal clutch assembly     | 1    | CP15020019 |
| 20   | Counter hours support           | 1    | CP15020020 |
| 21   | Counter hours                   | 1    | CP15020021 |
| 22   | Screw 3/8" UNF                  | 1    | CP15020022 |
| 23   | Plate for engine basement       | 1    | CP15020023 |
| 24   | Muffler (Old version K0)        | 1    | CP15020024 |
| 25   | No-stress box switch            | 1    | CP15020025 |

| POS. | DESCRIPTION               | Q.TY | CODE       |
|------|---------------------------|------|------------|
| 26   | Seeger ring $\phi$ 20     | 2    | CP15020026 |
| 27   | Bearing 6004 2RS          | 2    | CP15020027 |
| 28   | Plate for tank clamp      | 2    | CP15020028 |
| 29   | Tank support              | 1    | CP15020029 |
| 30   | Safety switch             | 1    | CP15020030 |
| 31   | Plate                     | 2    | CP15020031 |
| 32   | Battery box               | 1    | CP15020032 |
| 33   | Idler pin                 | 1    | CP15020033 |
| 34   | No-stress starting box    | 1    | CP15020034 |
| 35   | Battery cable             | 2    | CP15020035 |
| 36   | Key                       | 1    | CP15020036 |
| 37   | Shaft spacer              | 1    | CP15020037 |
| 38   | Vibration-vamping support | 1    | CP15020038 |
| 39   | Vibration-vamping rubber  | 1    | CP15020039 |
| 40   | No-stress sensor          | 1    | CP15020040 |



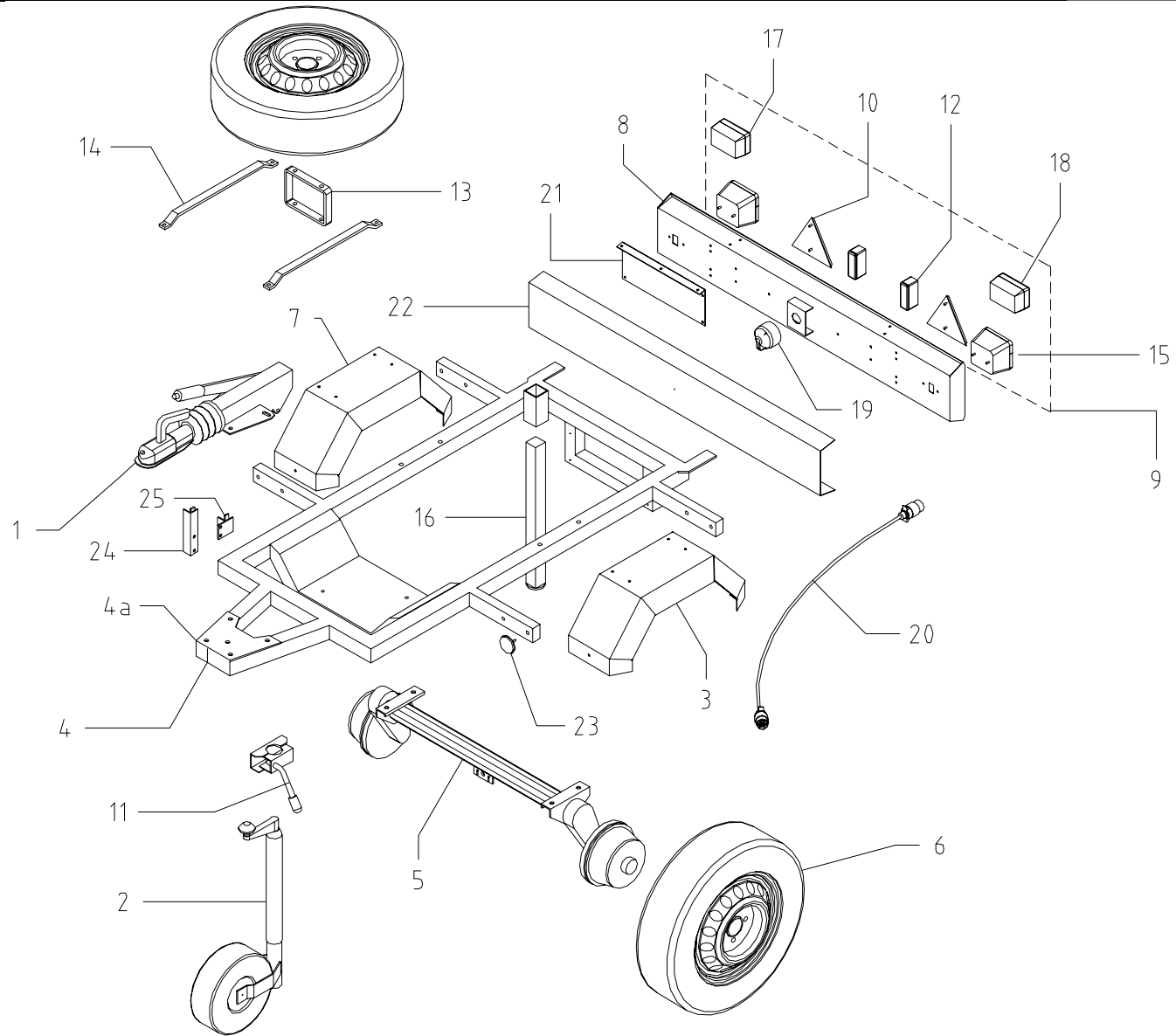
| POS. | DESCRIPTION                    | Q.TY | CODE       |
|------|--------------------------------|------|------------|
| 1    | Drawbar                        | 1    | CP15030001 |
| 2    | Eye tightener M8               | 1    | CP15030002 |
| 3    | Spring                         | 1    | CP15030003 |
| 4    | Wheel 3.50-8                   | 4    | CP15030004 |
| 5    | Pin                            | 1    | CP15030005 |
| 6    | Bearing 6004 Z                 | 2    | CP15030006 |
| 7    | Swivelled support              | 1    | CP15030007 |
| 8    | Fixed support                  | 1    | CP15030008 |
| 9    | Axle                           | 1    | CP15030009 |
| 10   | Frame                          | 1    | CP15030010 |
| 11   | Discharge support              | 1    | CP15030011 |
| 12   | Screw TE M10x20                | 4    | CP15030012 |
| 13   | Drawbar standstill             | 1    | CP15030013 |
| 14   | Discharge tube support (long)  | 1    | CP15030014 |
| 15   | Discharge tube support (short) | 1    | CP15030015 |
| 16   | Washer $\phi$ 10x30            | 4    | CP15030016 |





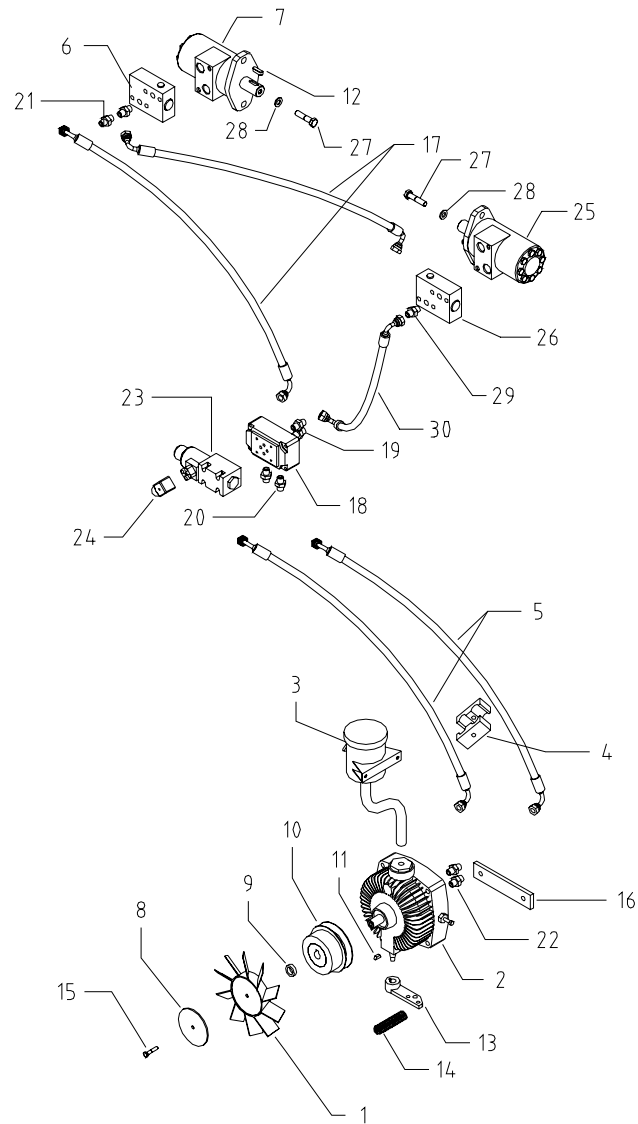
| POS. | DESCRIPTION            | Q.TY | CODE        |
|------|------------------------|------|-------------|
| 1    | Drawbar                | 1    | CP15040001  |
| 2    | Jockey wheel           | 1    | CP15040002  |
| 3    | Mudguard SX            | 1    | CP15040003  |
| 4    | Frame (Petrol version) | 1    | CP15040004  |
| 4a   | Frame (Diesel version) | 1    | CP15040004a |
| 5    | Axle                   | 1    | CP15040005  |
| 6    | Wheel                  | 3    | CP15040006  |
| 7    | Mudguard DX            | 1    | CP15040007  |
| 8    | Lighting board         | 1    | CP15040008  |
| 9    | Lighting assembly      | 1    | CP15040009  |
| 10   | Rear reflector         | 2    | CP15040010  |
| 11   | Jockey wheel support   | 1    | CP15040011  |
| 12   | Number plate light     | 2    | CP15040012  |
| 13   | Support wheel          | 1    | CP15040013  |
| 14   | Support wheel          | 2    | CP15040014  |
| 15   | Lighting box DX + SX   | 2    | CP15040015  |

| POS. | DESCRIPTION                    | Q.TY | CODE       |
|------|--------------------------------|------|------------|
| 16   | Rear support feet              | 1    | CP15040016 |
| 17   | Reverse motion lighting box    | 1    | CP15040017 |
| 18   | Reverse fog box lighting       | 1    | CP15040018 |
| 19   | Cable tap                      | 1    | CP15040019 |
| 20   | Electric cable                 | 1    | CP15040020 |
| 21   | Number plate support           | 1    | CP15040021 |
| 22   | Cable protection guard         | 1    | CP15040022 |
| 23   | Front reflector                | 1    | CP15040023 |
| 24   | Discharge tube support (long)  | 2    | CP15040024 |
| 25   | Discharge tube support (short) | 1    | CP15040025 |



**Cippo 15****TABLE 5 - Hydraulic system**

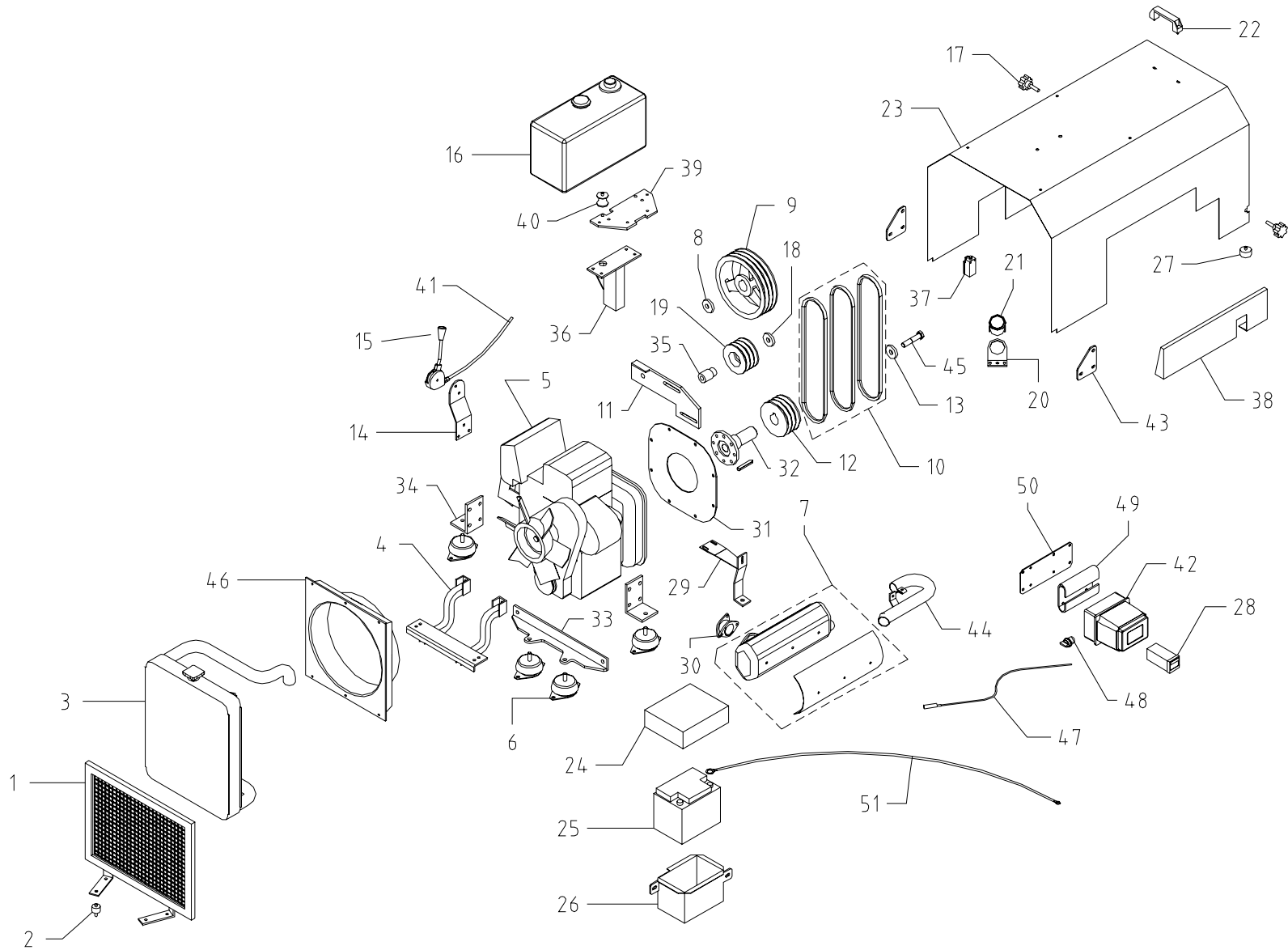
| POS. | DESCRIPTION                  | Q.TY | CODE       |
|------|------------------------------|------|------------|
| 1    | Cooling fan                  | 1    | CP15050001 |
| 2    | Hydraulic pump               | 1    | CP15050002 |
| 3    | Hydraulic oil tank           | 1    | CP15050003 |
| 4    | Hose support                 | 1    | CP15050004 |
| 5    | Hose couple                  | 1    | CP15050005 |
| 6    | Hydraulic valve              | 1    | CP15050006 |
| 7    | Hydraulic motor 400 cc       | 1    | CP15050007 |
| 8    | Washer                       | 1    | CP15050008 |
| 9    | Spacer                       | 1    | CP15050009 |
| 10   | Pulley 1A 95                 | 1    | CP15050010 |
| 11   | Pump key                     | 1    | CP15050011 |
| 12   | Hydraulic motor key          | 1    | CP15050012 |
| 13   | Pump command pin             | 1    | CP15050013 |
| 14   | Spring                       | 1    | CP15050014 |
| 15   | Screw UNF                    | 1    | CP15050015 |
| 16   | Pump plate                   | 1    | CP15050016 |
| 17   | Hose couple                  | 1    | CP15050017 |
| 18   | Electro-valve base           | 1    | CP15050018 |
| 19   | Nipple 1/4"                  | 1    | CP15050019 |
| 20   | Nipple 1/4"                  | 1    | CP15050020 |
| 21   | Nipple 1/4"                  | 1    | CP15050021 |
| 22   | Nipple 1/4"                  | 1    | CP15050022 |
| 23   | Electro-valve 12 V           | 1    | CP15050023 |
| 24   | Electro-valve connector 12 V | 1    | CP15050024 |
| 25   | Hydraulic motor 250 cc       | 1    | CP15050025 |
| 26   | Hydraulic valve              | 1    | CP15050026 |
| 27   | Screw TE M8x45               | 2    | CP15050027 |
| 28   | Washer $\phi$ 9              | 2    | CP15050028 |
| 29   | Nipple 1/4 "                 | 2    | CP15050029 |
| 30   | Hose                         | 1    | CP15050030 |



**Cippo 15****TABLE 6 - Diesel transmission HP 27 D (L)**

| POS. | DESCRIPTION               | Q.TY | CODE       |
|------|---------------------------|------|------------|
| 1    | Radiator protection       | 1    | CP15060001 |
| 2    | Vibration-vamping feet    | 4    | CP15060002 |
| 3    | Radiator                  | 1    | CP15060003 |
| 4    | Radiator support          | 1    | CP15060004 |
| 5    | Diesel engine             | 1    | CP15060005 |
| 6    | Vibration-vamping support | 4    | CP15060006 |
| 7    | Muffler                   | 1    | CP15060007 |
| 8    | Washer                    | 1    | CP15060008 |
| 9    | Pulley 3B 212             | 1    | CP15060009 |
| 10   | Belt B-43                 | 3    | CP15060010 |
| 11   | Idler support             | 1    | CP15060011 |
| 12   | Engine pulley 3B 132      | 1    | CP15060012 |
| 13   | Washer                    | 1    | CP15060013 |
| 14   | Accelerator support lever | 1    | CP15060014 |
| 15   | Accelerator lever         | 1    | CP15060015 |
| 16   | Fuel tank                 | 1    | CP15060016 |
| 17   | Wing 6E M10x40            | 2    | CP15060017 |
| 18   | Washer                    | 1    | CP15060018 |
| 19   | Idler pulley 3B 105       | 1    | CP15060019 |
| 20   | Counter hour support      | 1    | CP15060020 |
| 21   | Counter hour              | 1    | CP15060021 |
| 22   | Hand grip                 | 1    | CP15060022 |
| 23   | Engine case               | 1    | CP15060023 |
| 24   | Battery protection        | 1    | CP15060024 |
| 25   | Battery                   | 1    | CP15060025 |
| 26   | Battery box               | 1    | CP15060026 |
| 27   | Vibration-vamping feet    | 1    | CP15060027 |

| POS. | DESCRIPTION                      | Q.TY | CODE       |
|------|----------------------------------|------|------------|
| 28   | Electronic no-stress device      | 1    | CP15060028 |
| 29   | Muffler support                  | 1    | CP15060029 |
| 30   | Muffler joint                    | 1    | CP15060030 |
| 31   | Flange                           | 1    | CP15060031 |
| 32   | Counter shaft                    | 1    | CP15060032 |
| 33   | Engine front support             | 1    | CP15060033 |
| 34   | Engine rear support              | 2    | CP15060034 |
| 35   | Idler pulley pin                 | 1    | CP15060035 |
| 36   | Tank support                     | 1    | CP15060036 |
| 37   | Safety switch                    | 1    | CP15060037 |
| 38   | Casing plate                     | 1    | CP15060038 |
| 39   | Tank plate                       | 1    | CP15060039 |
| 40   | Vibration-vamping feet           | 4    | CP15060040 |
| 41   | Cable accelerator assembly       | 1    | CP15060041 |
| 42   | No-stress starting box           | 1    | CP15060042 |
| 43   | Engine case plate                | 2    | CP15060043 |
| 44   | Mainfold                         | 1    | CP15060044 |
| 45   | Screw TE M16x80                  | 1    | CP15060045 |
| 46   | Conveyor                         | 1    | CP15060046 |
| 47   | Sensor                           | 1    | CP15060047 |
| 48   | No-stress switch                 | 1    | CP15060048 |
| 49   | Vibration-vamping rubber         | 1    | CP15060049 |
| 50   | Vibration-vamping rubber support | 1    | CP15060050 |
| 51   | Battery cable                    | 2    | CP15060051 |



| POS. | DESCRIPTION               | Q.TY | CODE       |
|------|---------------------------|------|------------|
| 1    | P.T.O. protection chute   | 1    | CP15070001 |
| 2    | Clamp                     | 1    | CP15070002 |
| 3    | COMER gearbox             | 1    | CP15070003 |
| 4    | Plate                     | 1    | CP15070004 |
| 5    | Split pin R               | 1    | CP15070005 |
| 6    | Pin                       | 1    | CP15070006 |
| 7    | Bracket                   | 2    | CP15070007 |
| 8    | 3 <sup>rd</sup> point pin | 2    | CP15070008 |
| 9    | Washer                    | 1    | CP15070009 |
| 10   | Frame                     | 1    | CP15070010 |
| 11   | Screw TE M12x200          | 1    | CP15070011 |
| 12   | Idler pin                 | 1    | CP15070012 |
| 13   | Idler pulley 3B 105       | 1    | CP15070013 |
| 14   | Washer                    | 1    | CP15070014 |
| 15   | Pulley 3B 140             | 1    | CP15070015 |
| 16   | Washer                    | 1    | CP15070016 |
| 17   | Gearbox pulley 3B 140     | 1    | CP15070017 |
| 18   | Belt B-46                 | 3    | CP15070018 |

| POS. | DESCRIPTION                    | Q.TY | CODE       |
|------|--------------------------------|------|------------|
| 19   | Washer                         | 1    | CP15070019 |
| 20   | Belt casing                    | 1    | CP15070020 |
| 21   | Wheel 3.50-8                   | 2    | CP15070021 |
| 22   | Cardan shaft*                  | 1    | CP15070022 |
| 23   | Bracket spacer                 | 1    | CP15070023 |
| 24   | Screw TE M12x30                | 1    | CP15070024 |
| 25   | Spacer Sp 18                   | 1    | CP15070025 |
| 26   | Spacer Sp 50                   | 1    | CP15070026 |
| 27   | Screw TE M16x35                | 1    | CP15070027 |
| 28   | Screw TE M12x30                | 1    | CP15070028 |
| 29   | Discharge tube support (long)  | 1    | CP15070029 |
| 30   | Discharge tube support (short) | 1    | CP15070030 |
| 31   | Screw TE M10x20                | 2    | CP15070031 |
| 32   | Washer $\phi$ 10x30            | 2    | CP15070032 |

\* Optional item

